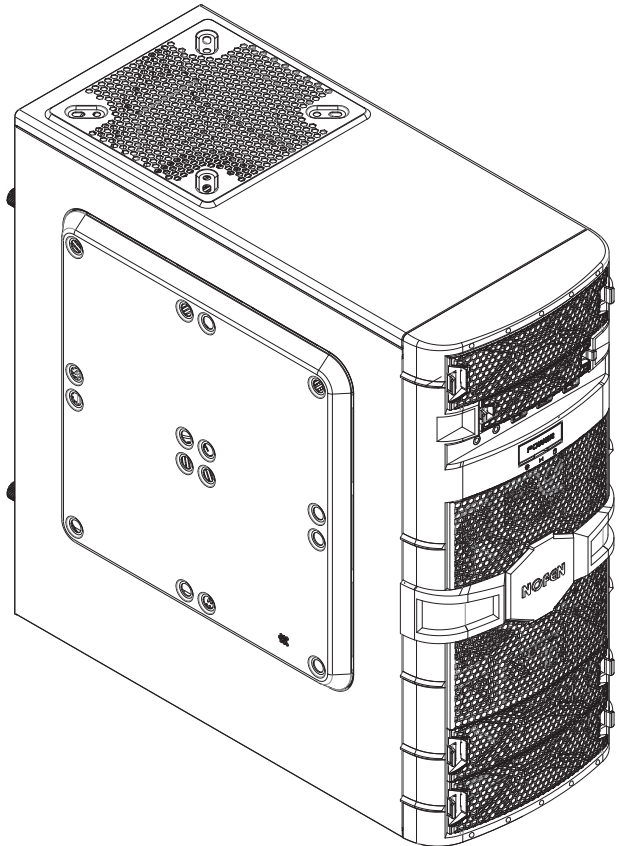


# User's Manual

# NOFAN CS-60

NOFAN CS-60 (Natural Convection Model of Dragon Slayer From IN WIN)



Please review the manual prior to installation.  
Ver. 1.0

## 1. NOFAN CS-60 Features

1. Hexagon mesh panels for maximum air flow and optimal natural convection cooling.
2. Tool-free installation (for HDDs, tighten the bolts along with the antivibration HDD Guides to prevent vibration)
3. Front Panel USB 3.0 port is supported. (Motherboard must support USB 3.0.)
4. Maintains clean system(no fans - no intake of dust).

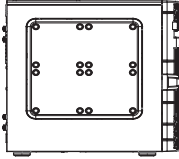
## 2. CS-60 Specifications

Category	NOFAN CS-60
Dimensions (W x D x H)	180mm x 410mm x 425mm
Weight	4.2kg
Materials	Plastic, Steel(SECC)
Supported Motherboard	Micro ATX
Color	Dark Gray
Expansion Slots	5
5.25" Bay	1(3)
3.5" Bay	3(1)
2.5" Bay	1
I/O Port	Mic x 1, Headphones x 1, USB 2.0 x 2, USB 3.0 x 1

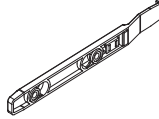
## NOTICES

1. Keep out of the reach of children.
2. Inspect product prior to installing for any defects and return if any defects are found.
3. Do not use this product for any purposes other than its intended use. Damages from such usage, or incorrect installation are not covered by FOFAN's warranty.
4. Please follow the User's Manual for CPU and motherboard installation to avoid damages.
5. Do not ingest the thermal compound included in the product.
6. Remove the CPU cooler when moving the computer. If the CPU cooler is not removed, it could be damaged along with peripheral components. Furthermore, the manufacturer is not responsible for any problems caused by negligence of this procedure.
7. Specifications are subject to change without prior notice.

### 3. NOFAN CS-60 Package Contents



① CS-60 Case



② Anti-Vibration HDD Guide x 6



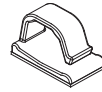
③ HDD Screw x 12  
(UNC 3 32x12)



④ SSD Screw x 4  
(M3.0x8)

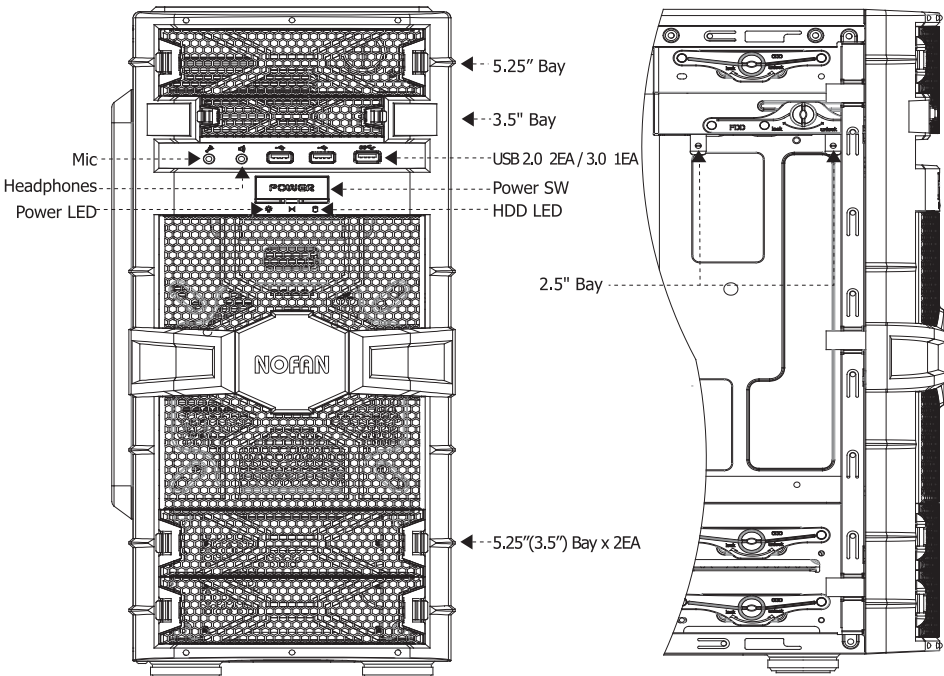


⑤ Motherboard Standoff x 8  
(M3.0x6)



⑥ Cable Clip x 3

### 4. I/O Port & 3.5" / 2.5" HDD / SSD Bay



## 5. Tool-Free Installation Guide

### 1) 5.25", 3.5" Bay

#### ▶ 5.25" Installation



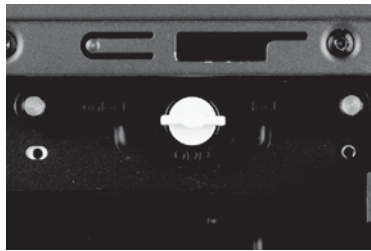
① Remove the cover by pressing inwardly the left and right lug of the cover.



② Turn the fixing lever to the unlock direction to remove the fixing bar.



③ Slide in the 5.25" CD-ROM.



④ Mount the fixing bar again, and turn the fixing lever toward the lock direction for fixing.

#### ▶ 3.5" Installation



① Remove the cover by pressing inwardly left and right lugs of the cover.



② Turn the fixing lever to the unlock direction to remove the fixing bar.

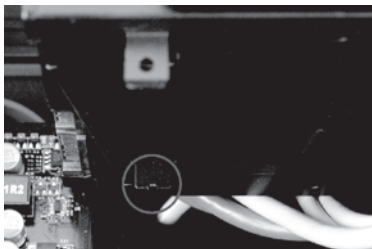


③ Slide in the 3.5" SSD Bay.



④ Mount the fixing bar again, and turn the fixing lever toward the lock direction for fixing.

## 2) 2.5" Bay Installation



① Check the bolting hole of 2.5" drive, and check the position of the fixing pin inside the case.

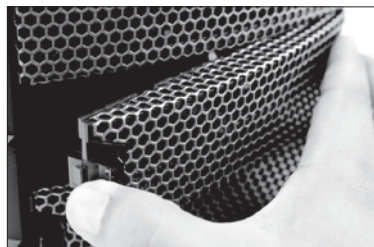


② Match the bolting hole to the position of the fixing pin, and use the bolt to completely fix the 2.5" drive.

## 3) Lower Bay Installation

Used by selecting 5.25" (x 2 EA) or 3.5" (x 3 EA) according to user preference.

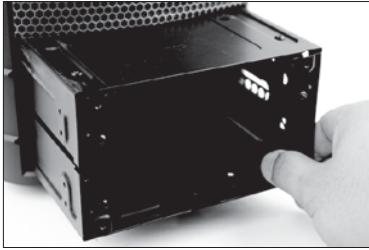
### ► 5.25" Installation



① Remove the cover by pressing inwardly left and right lugs of the cover.



② Turn the fixing lever to the unlock direction to remove the fixing bar.



③ Take out the 3.5" Bracket from the case.



④ Slide in the 5.25" CD-ROM.

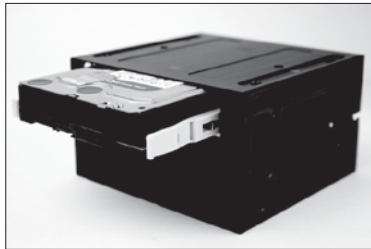


⑤ Mount the fixing bar again, and turn the fixing lever toward the lock direction for fixing.

### ► 3.5" Installation



① Install the Anti-Vibration HDD Guides to the left and right sides of the 3.5" HDD.



② Insert the HDD into the 3.5" bracket. Push in until a clicking sound is heard.



- ③ Insert the HDD-mounted 3.5" Bracket into the case. Install the fixing bar, and turn the fixing lever to the lock direction for fixing. Finish the job by reattaching the cover onto the front of the case.

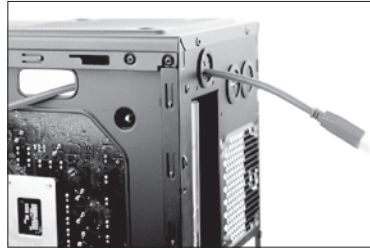
## 6. USB 3.0 Installation Guide

CS-60 has 1 (one) USB 3.0 port on the top of the case.

(In order to use the USB 3.0 port, the motherboard must support an on-board USB 3.0 connector.)



- ① Separate the right side panel of the case.

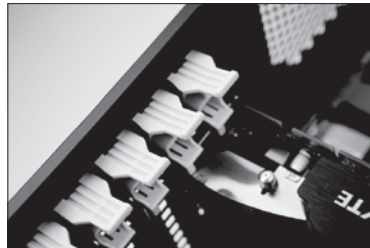


- ② Pull out the blue USB 3.0 cable through the rear of the case, and connect the cable to the USB 3.0 port on the motherboard

## 7. Expansion Slot Installation Guide



- ① Push the expansion slot dip to release. And firmly install the expansion card (VGA Card, Sound Card...).



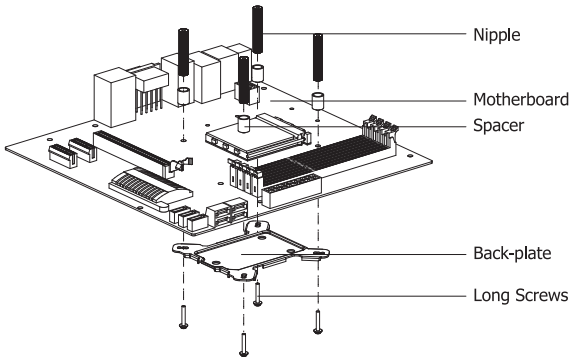
- ② Push the clip towards the card to lock.

## 8-1. CR-95C(Sold Separately) Installation Guide

Please refer to the Flash video at "[www.nofancomputer.com](http://www.nofancomputer.com)" for a more detailed explanation.

### 1. INTEL CPUs

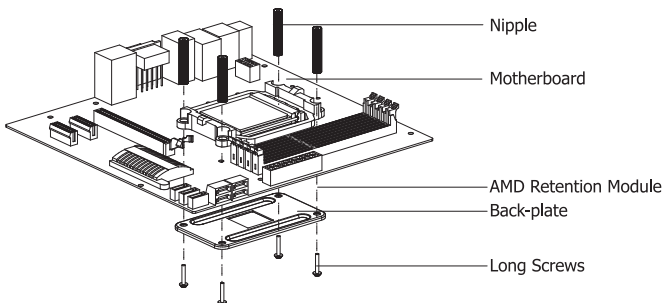
- Insert the four long screws through the back-plate into the four holes on the motherboard and secure them evenly with the four spacers and nipples.



- Installing Intel based CPU mounting kit -

### 2. AMD CPUs

- Remove the retention module, if applicable. Insert the four long screws through the back-plate and the retention module into the four holes on the motherboard and secure them evenly with the four nipples.

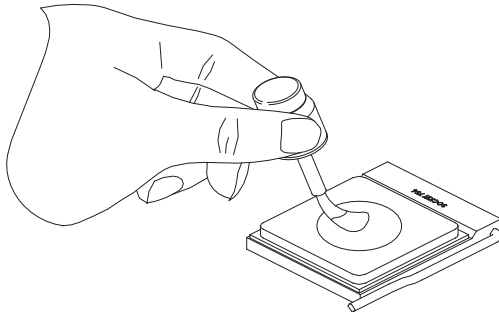


- Installing AMD based CPU mounting kit -



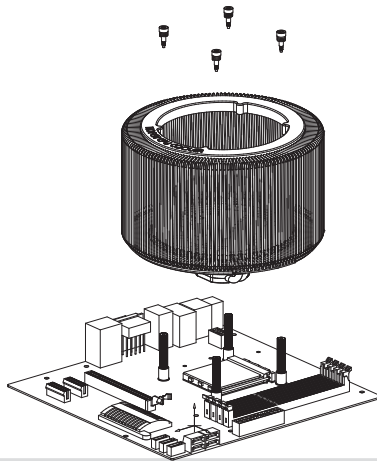
## 8-2. CPU Cooler Installation

1. Clean the surface of the CPU.
2. Apply a thin layer of Thermal Grease onto the CPU.



- Applying Thermal Grease onto the CPU -

3. Place the heatsink onto the CPU and tighten each fixing bolt evenly.



## 9. Recommended Fan-less System by NOFAN Computer

### ► INTEL System

Recommend Component	Manufacturer	Model
1. CPU	Intel Corporation	Intel Core i5-2500
2. CPU Cooler	NOFAN Corporation	CR-95C
3. Chassis	NOFAN Corporation	CS-60
4. Motherboard	Giga-Byte Technology Co.,Ltd.	GA-Z68MX-UD2H
5. VGA Card	Giga-Byte Technology Co.,Ltd.	Radeon HD 6770 UDV D5 Silent-Cell (1G)
6. Power Supply	NOFAN Corporation	P-400A
7. Solid State Disk	Samsung	SSD 830 Series

Recommended products for an optimum noiseless(0 dBA) system.



1.CPU



2.CPU Cooler



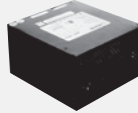
3.Chassis



4.Motherboard



5.VGA Card



6.Power Supply



7.Solid State Disk

### ► AMD System

Recommend Component	Manufacturer	Model
1. CPU	AMD	A8 3850
2. CPU Cooler	NOFAN Corporation	CR-95C
3. Chassis	NOFAN Corporation	CS-60
4. Motherboard	Giga-Byte Technology Co.,Ltd.	GA-A75M-UD2H
5. VGA Card	Giga-Byte Technology Co.,Ltd.	Radeon HD 6770 UDV D5 Silent-Cell (1G)
6. Power Supply	NOFAN Corporation	P-400A
7. Solid State Disk	Samsung	SSD 830 Series

Recommended products for an optimum noiseless(0 dBA) system.



1.CPU



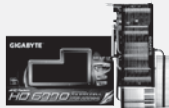
2.CPU Cooler



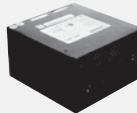
3.Chassis



4.Motherboard



5.VGA Card



6.Power Supply



7.Solid State Disk

## 10. NOFAN Warranty Policy

NOFAN certifies its products to be free of defects in material and workmanship from normal usage. NOFAN is not responsible for damages to, or loss of, any programs, data, or removable storage media. The user is responsible for maintaining regular back-ups. NOFAN will repair or replace the defective product with the same product. If the product is discontinued, NOFAN will replace with one that is comparable. This provision is confined to the warranty period. The warranty period will begin on the date of purchase on the receipt. If the buyer is unable to provide proof of purchase, the warranty will start on the date of production recovered from the printed serial number. This warranty is non-transferrable.

### Duration of Warranty

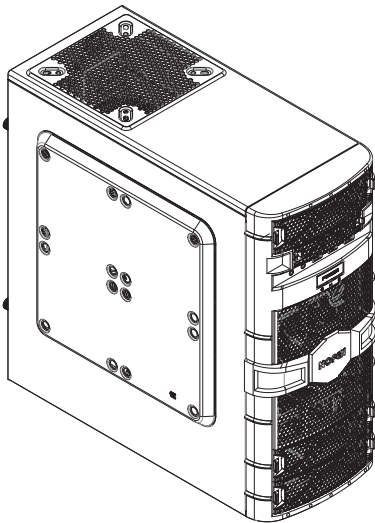
NOFAN brand cases will be warranted for 1 Year.

### Following cases are not covered by the Warranty:

1. If the case has been modified without written consent from NOFAN.
2. If the serial number has been modified or removed.
3. Accidental or intentional abuse, misuse, neglect, natural disaster, or any other acts of nature, failure to follow the User's Manual, shipping or transport damage, or any other causes not related to product defect.
4. Repair or attempted repair by anyone not authorized by NOFAN.
5. Any damages unrelated to manufacturing defects.

### Beyond Korea

For warranty services beyond Korea, please contact the retailer or distributor for assistance.



# NOFAN CS-60